

Differential Transformer Type **Submerged Level Detector**

SL-7100C

Excellent corrosion resistance
to seawater and chemical solution

ISO9001



JQA-0950

**Chemical tank
Seawater**

- Excellent corrosion performance and Superior stability will enhance the confidence in the measurement and control.



- **Small and light** $\phi 63.5\text{mm}$, 2.3kg
- **High reliability** Excellent lightning protection and the pressure receiving portion is robust structure
- **High precision** $\pm 0.3\%$ of span



JFE Advantech Co., Ltd.

Submerged Level Detector SL-710C



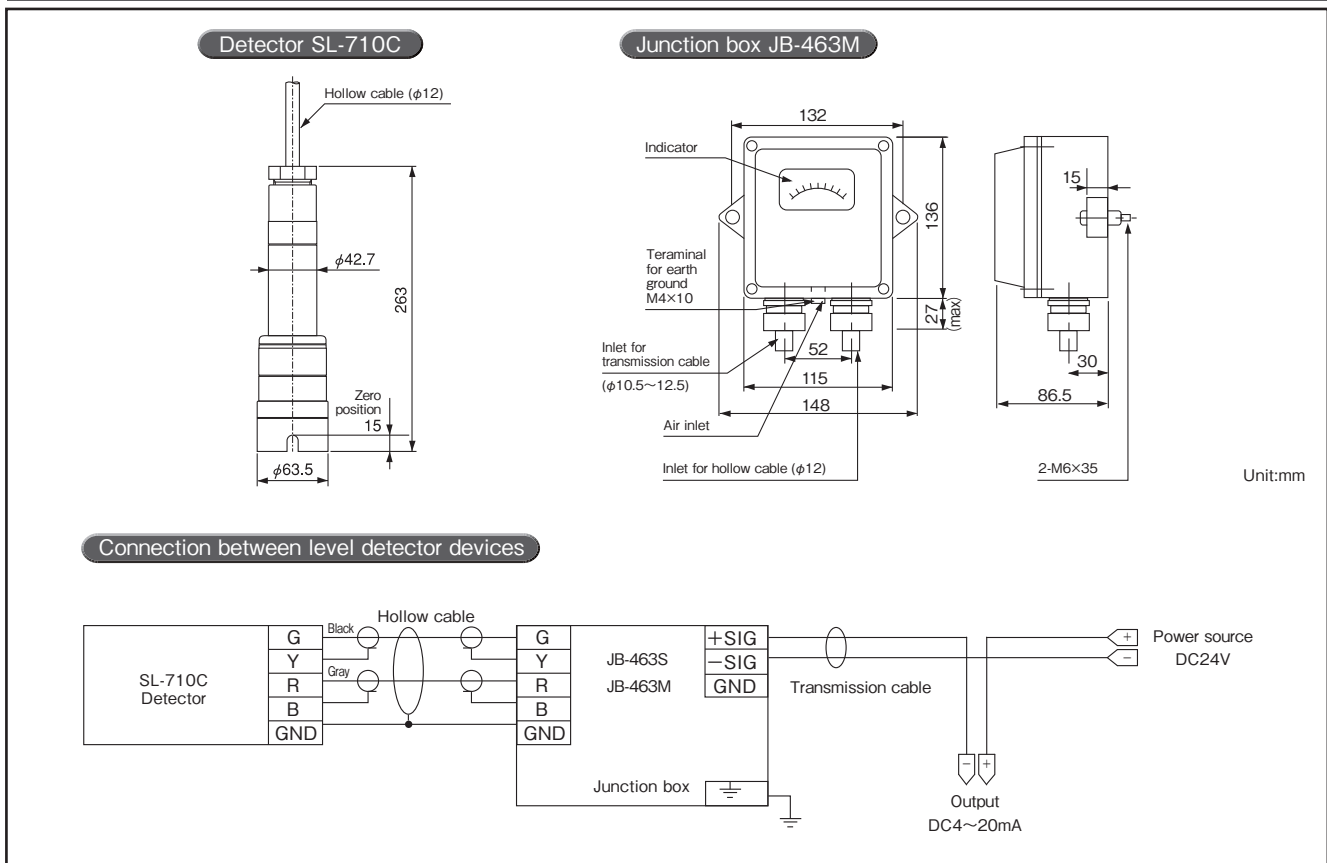
 Please read the operation manual before using the product.

Specifications

Measuring range	Range selectable from 0-0.8m to 0-12m	Lightning protection	10kV (lightning protection circuits built in power supply and output sections)
Accuracy	±0.3% of span	Material	Detector : Substantially Hastelloy® C-22® Junction box : SMC resin
Temperature characteristic	±0.03%/°C of span	Hollow cable	Outer diameter : φ12mm Jacket : polyethylene sheath
Operating temperature range	Detector : -5~50°C (no freezing allowed) Junction box : -5~60°C (Guaranteed indicator operating range : 0 to 50°C)	Weight	Detector : 2.3kg approx. Junction box : 0.9kg approx.
Output signal	4 to 20mA DC (2-wire type) Allowable load resistance : 390Ω (at power supply voltage 24V)	Power source	DC16.2 to 30V
Allowable overload	12m when maximum measurement value is 0.8m and up to 3m 45m when maximum measurement value is more than 3m and up to 12m		

Hastelloy® C-22® is registered trademark of Haynes International, Inc.

Components



*Specifications in this catalog are subject to change without prior notice due to product improvement.



JFE Advantech Co., Ltd.

URL : <https://www.jfe-advantech.co.jp/eng/>

Tokyo Office (Overseas Sales Department)

JFE Kuramae Bldg. 2F ,2-17-4 Kuramae, Taito-ku, Tokyo
111-0051, Japan
Tel.+81-3-5825-5577 Fax.+81-3-5825-5591

Water Environment Division

3-48,Takahata cho, Nishinomiya, Hyogo,
663-8202, Japan
Tel.+81-798-66-1502 Fax.+81-798-65-7025